



## HeatAdapt installation overview

To install HeatAdapt, connect the power and signal cables, configure the heat pump, and connect to WiFi. HeatAdapt will automatically generate optimised control schedules based on the electricity price, building's characteristics and the weather forecast.

### Installation prerequisites

- Power and signal cable (not included)
- Tools for completing electrical connections
- WiFi signal at the heat pump's location\*
- A smartphone, tablet or laptop

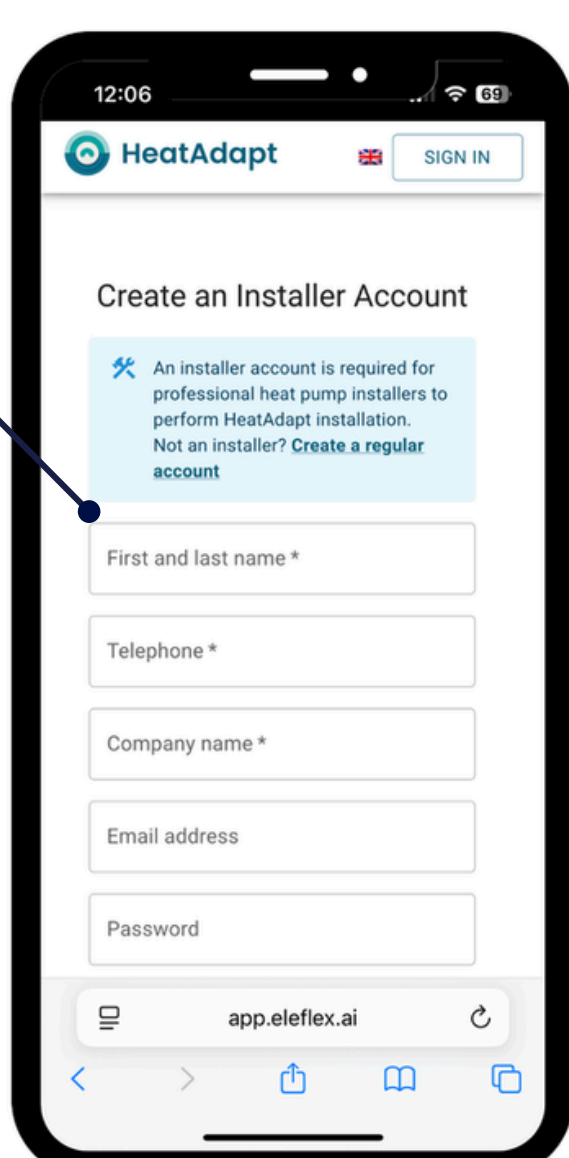
\* If there is no WiFi coverage, the installation can be completed, but the customer will have to configure WiFi afterwards.

### Installation process tailored for heat pumps

# 1

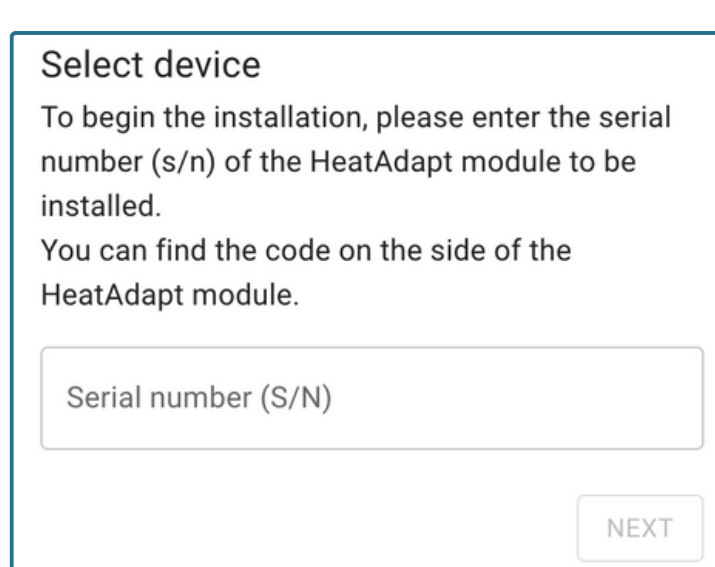
Create an installer account:

[app.eleflex.ai/installer](https://app.eleflex.ai/installer)



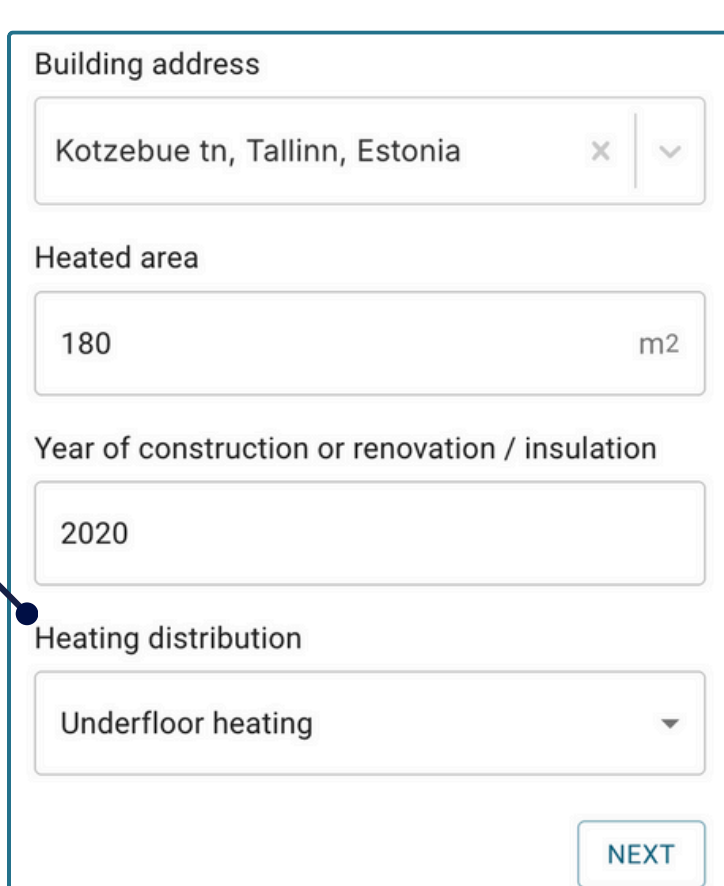
# 2

Insert the HeatAdapt serial number, located on the side of the device



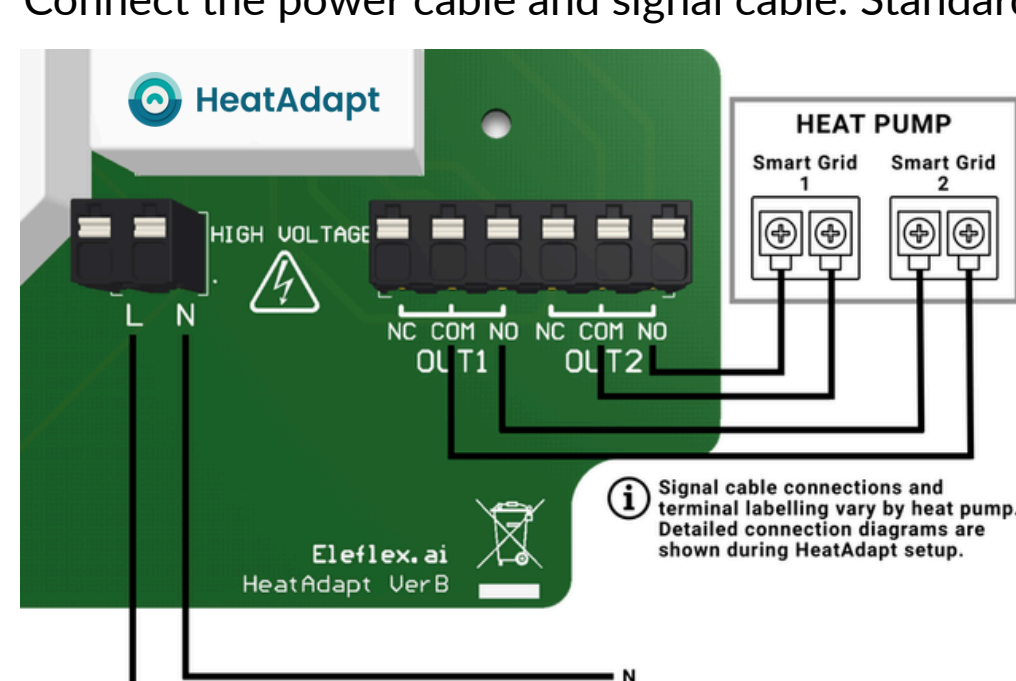
# 3

Fill in the building's and heat pump's information



# 4

Connect the power cable and signal cable. Standard *Smart Grid* wiring:

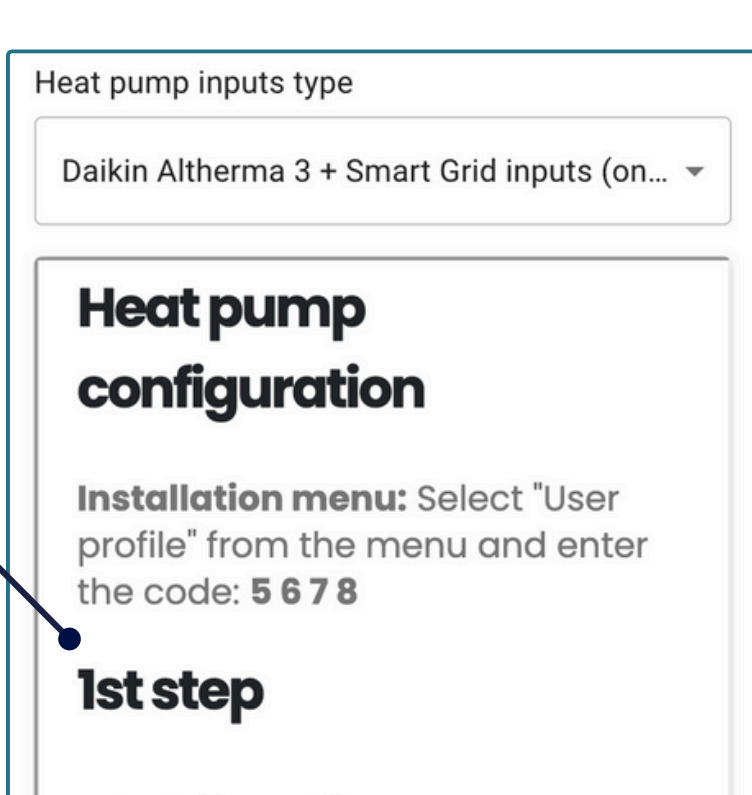


**i** Connection diagram varies based on the heat pump model. During installation, the heat pump model-specific guide is shown, including the corresponding wiring diagram.

# 5

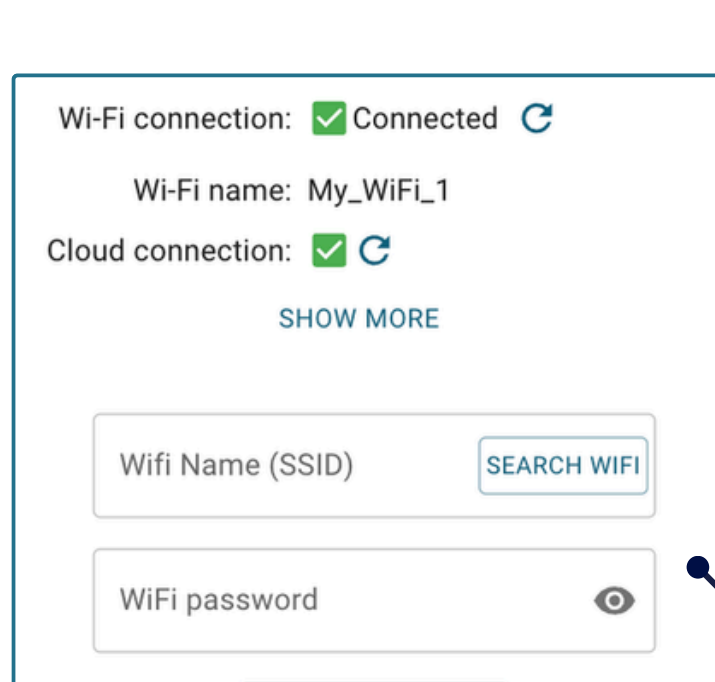
Enable Smart Grid control on the heat pump's menu

**i** Detailed heat pump configuration parameters are displayed during the installation process.



# 6

Connect HeatAdapt to the local WiFi network



**HeatAdapt setup is complete.**

A test of operating modes can be performed to verify the install. The customer links HeatAdapt to their account using the device's serial number.